

# 301

SR1142SW (SR43)  
Watch Battery  
Swiss Made

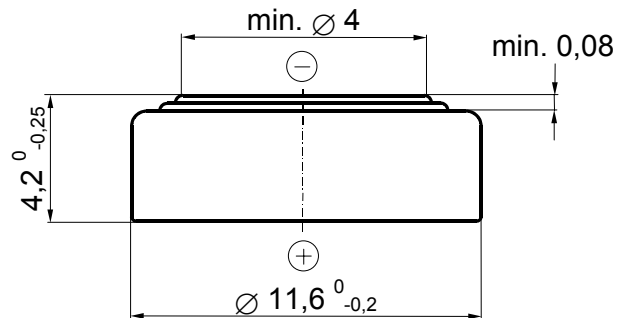
## Technical Data Sheet

### Specifications

|                       |  |
|-----------------------|--|
| Chemical system       | Zinc / Monovalent Silver Oxide, low drain      |
| Nominal Voltage       | 1,55 V   |
| Capacity              | 120 mAh, Discharge over 10 kΩ at 20°C to 1,2 V |
| Internal Resistance   | Below 50 Ω at 20°C                             |
| Operating Temperature | 0°C – 60°C                                     |
| Self Discharge        | Less than 5% per year at 20°C                  |
| Weight                | ~1,60 g  |

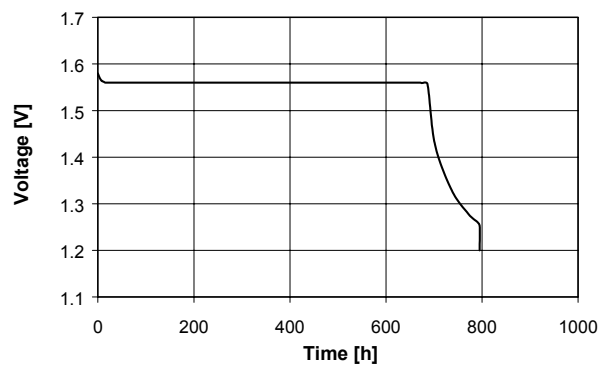
### Dimensions

|          |                   |
|----------|-------------------|
| Diameter | 11,60 mm (0,457") |
| Height   | 4,20 mm (0,165")  |



### Discharge Curve

|                |        |
|----------------|--------|
| Constant Load  | 10 kΩ  |
| Starting Drain | 156 μA |
| Temperature    | 20°C   |



Rev. 301.03 06/02